

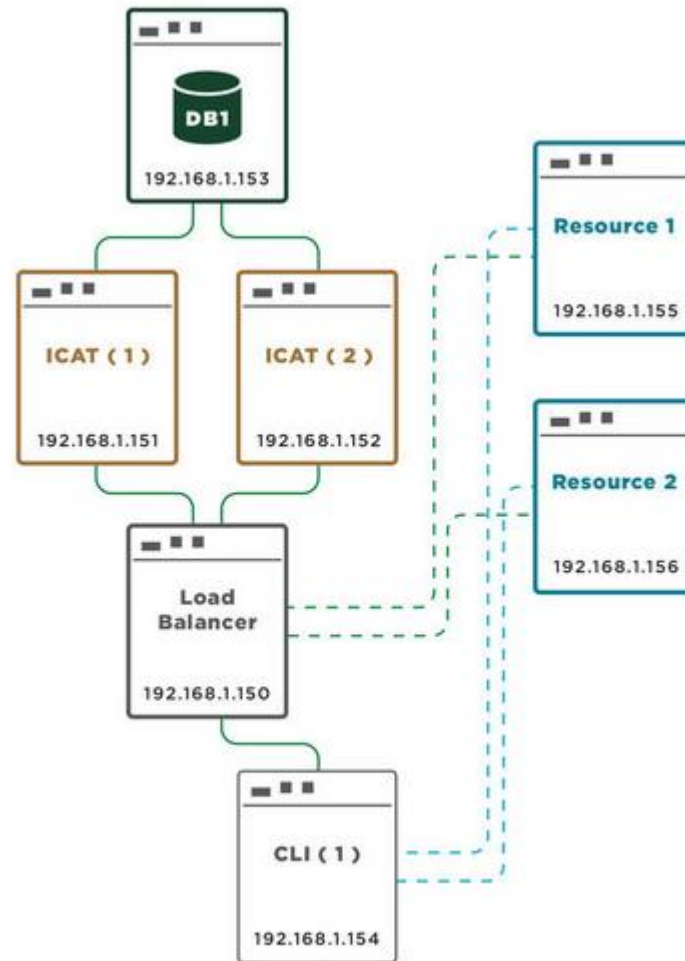
iRODS HA Database Deployment

Adam Carrgilson

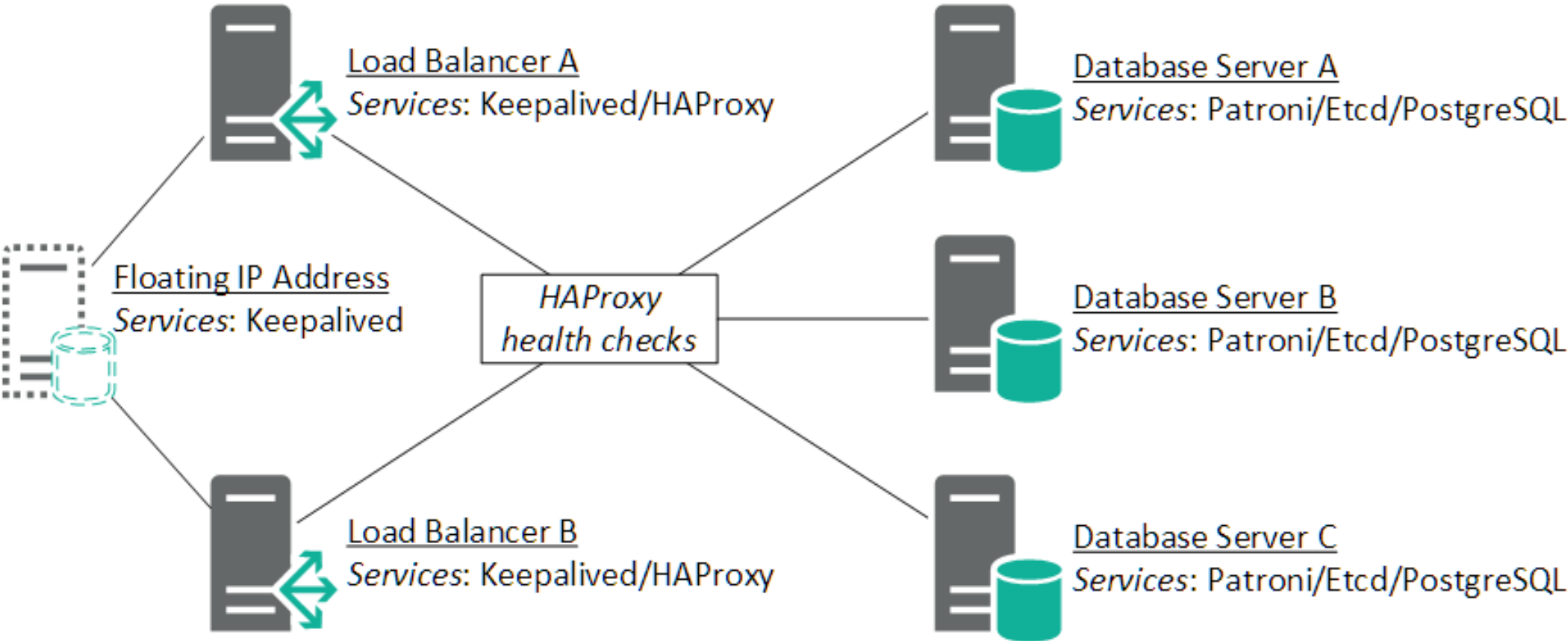
Computing infrastructure for Science
Norwich BioScience Institute Partnership



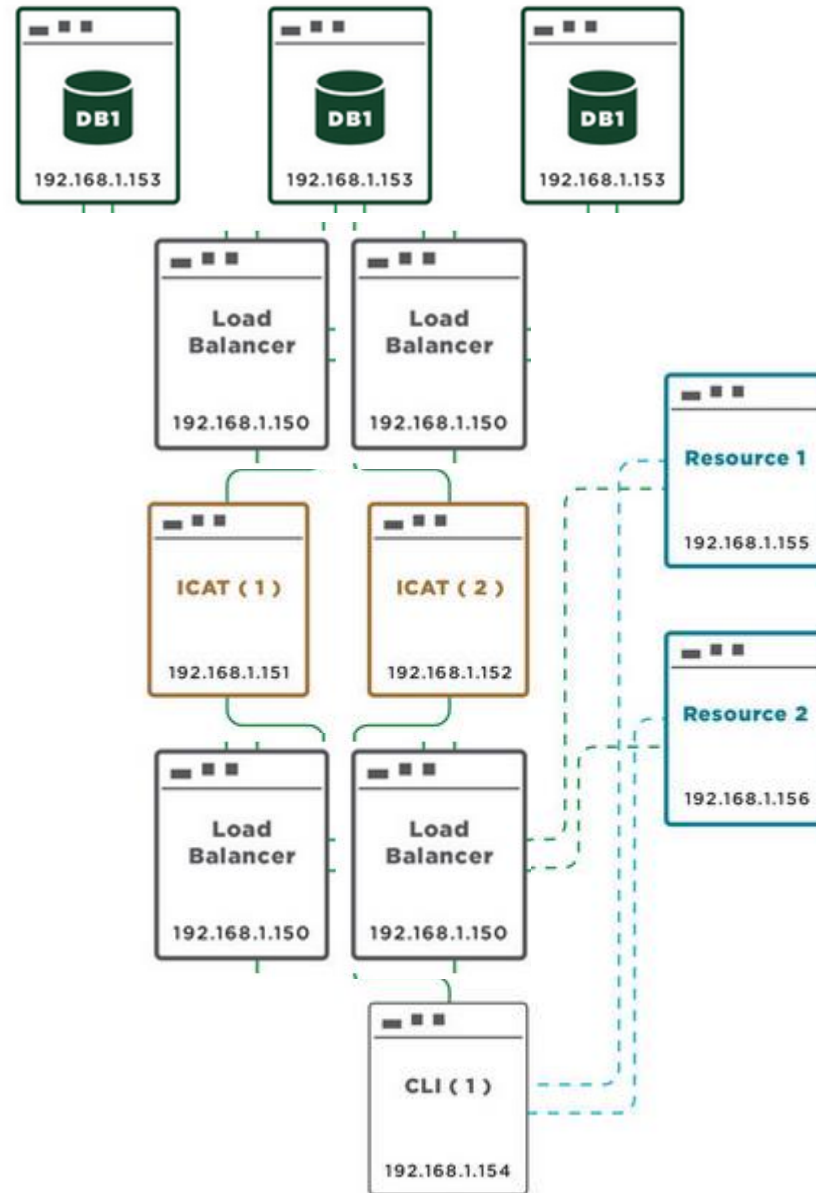
Documented HA Setup



Database HA Setup



Ideal HA Setup



Value Add within the Ansible Deployment

- Git committing /etc/irods
- Database backup – Barman
- Monitoring integration – Zabbix

Soon to be released

- Ansible code will be pushed to Github
- Will announce work on the iRODS Chat *Google Group*